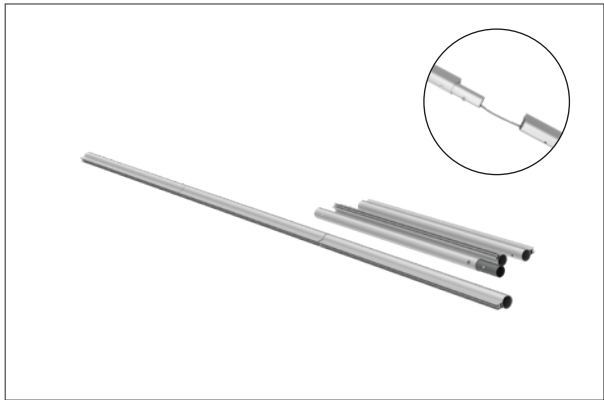


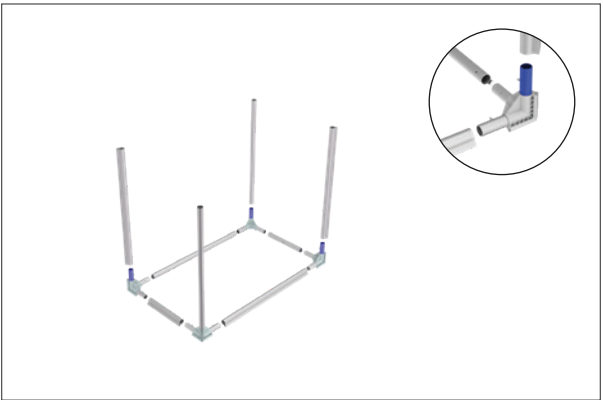
Set Up Instructions

CSNRC-100M

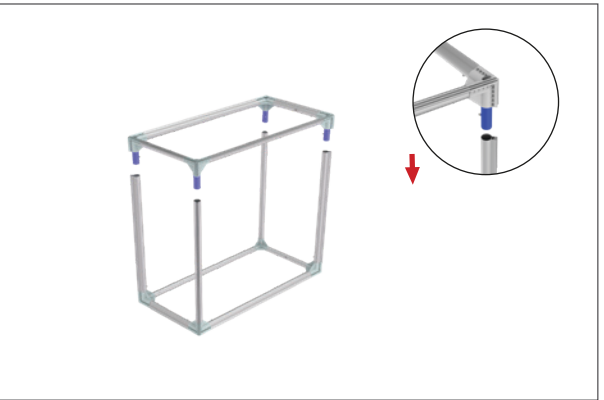
Step 1: Assemble all straight pipes with bungee cords by pushing and pulling together.



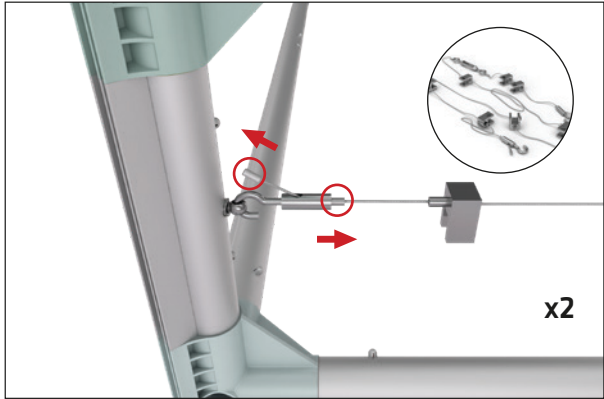
Step 2: Connect all corner sections to straight sections of the frame by matching color on pipes.



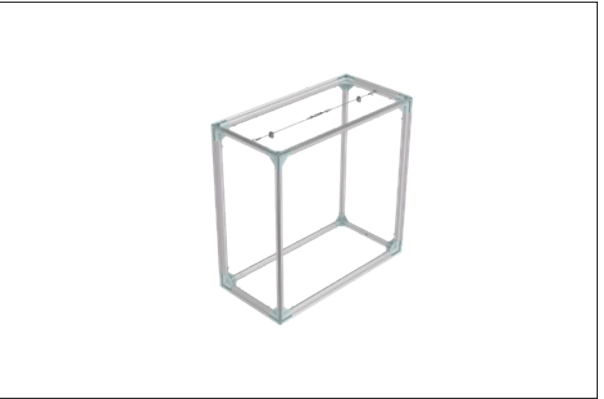
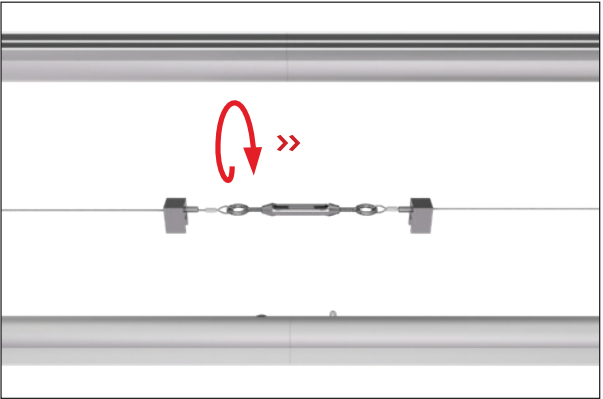
Step 3: Build two outer frames and connect top and bottom frames together in the corners with small connecting pipes.



Step 4: At the top of the frame attach cable to left and right side. Tighten or loosen with hand pull.



Step 5: Move to the center of cable and hand tighten remaining turn buckle to remove any remaining slack. Do not over tighten.



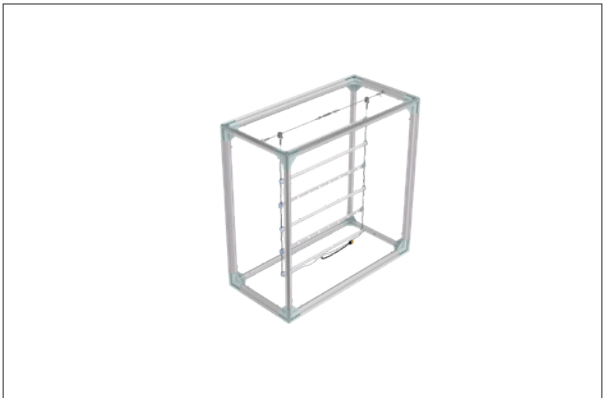
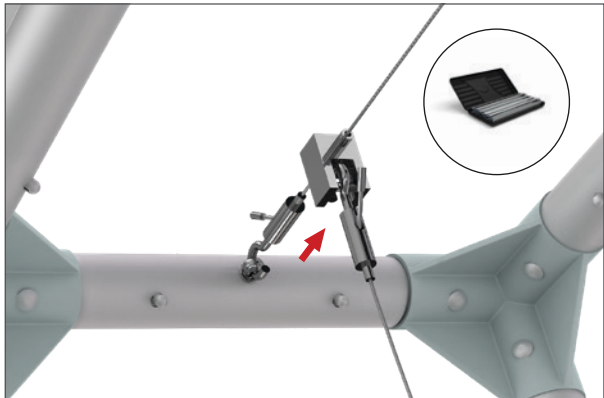
Set Up Instructions

CSNRC-100M

Step 6: Take out the LED Lights and hook the Light Array onto the wire harness clips at the top of frame

Repeat until all Light Arrays are attached. Lights Arrays do not attach to bottom of frame, but hang under their own weight in final upright position.

Step 7: Completed frame with Light Arrays attached.



Step 8: Fit PVC inner boards onto the top of frame with wedge side face down. Position and align board until it fits down into the frame.

Step 9: Drape the graphic over frame and gently pull down to bottom of counter on all sides.

Step 10: To complete installation of graphic, gently place counter on its side.



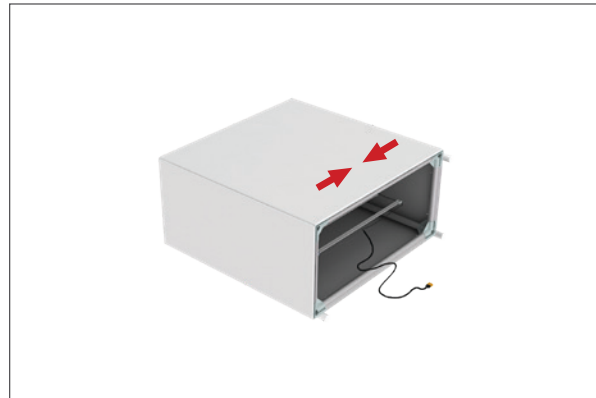
Set Up Instructions

CSNRC-100M

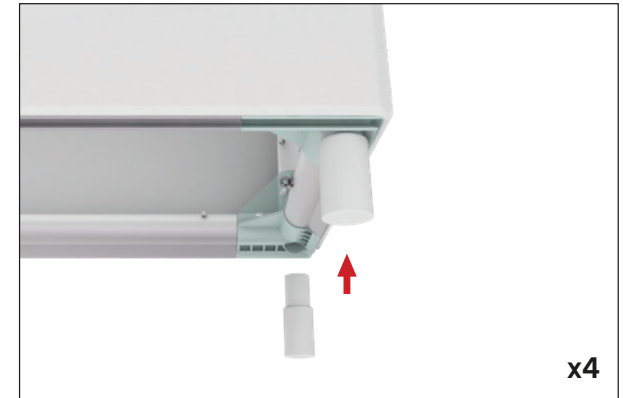
Step 11: Start in one corner of the frame and push the silicone edge of graphic into the outside bottom groove. Insert for 4-6 inches in both directions. Repeat on all corners.



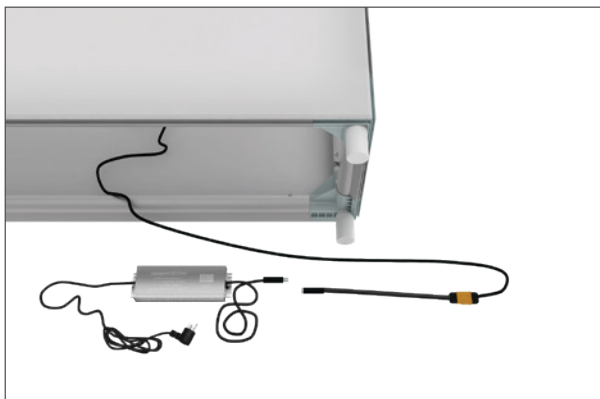
Step 12: Continue inserting silicone edge of graphic into the frame working towards the center of frame on each side. Do not over pull or stretch.



Step 13: Insert feet into 4 corners of the frame base.



Step 14: Attach LED Light Array to power supply. Stand counter into upright position over top of power supply with power cord showing.



Step 15: Move counter into position and plug power cords into outlet to illuminate display.



CAUTION!

Do not connect lights to power when lights are rolled up. Hang lights on frame before connecting to power for testing.

